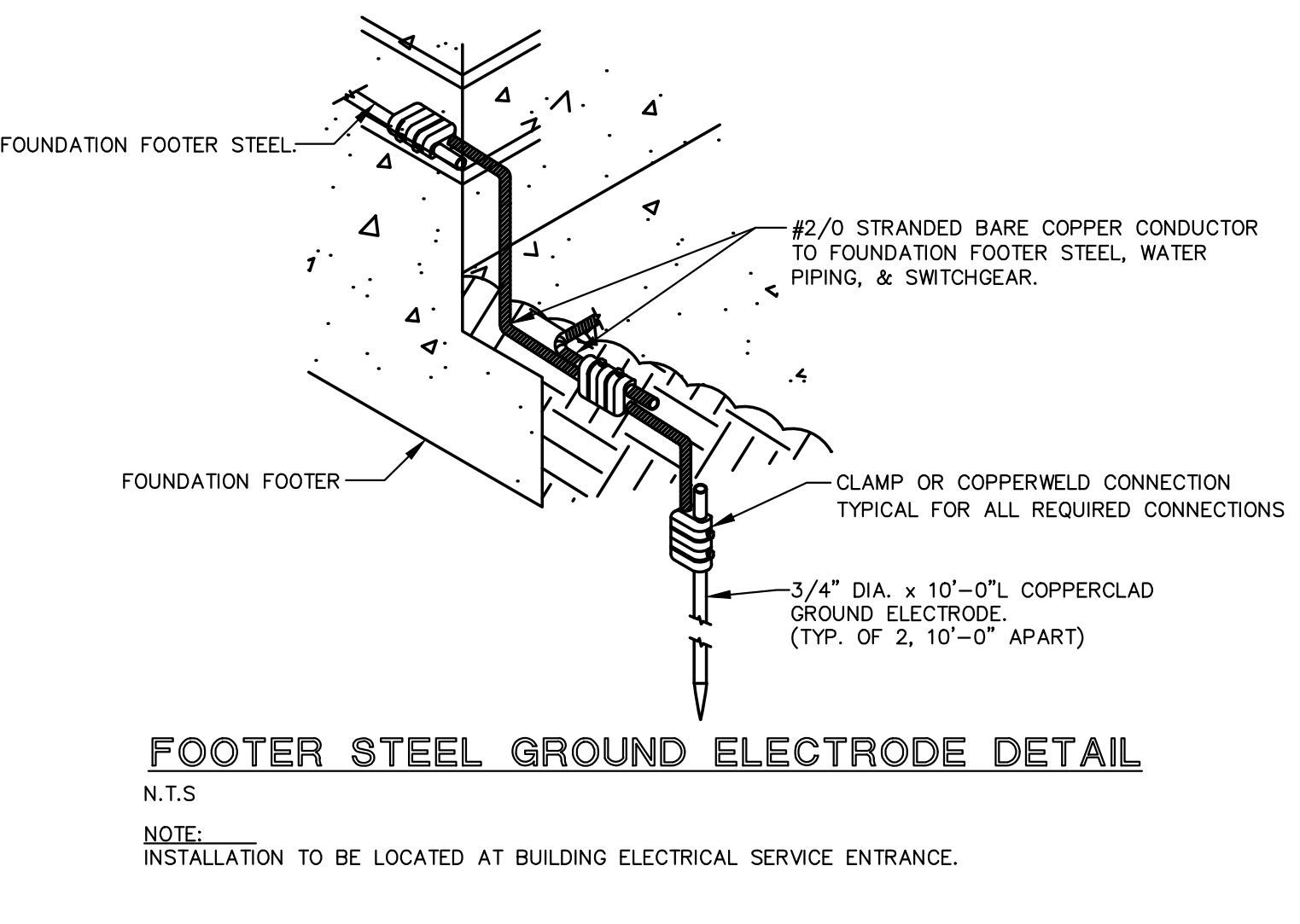
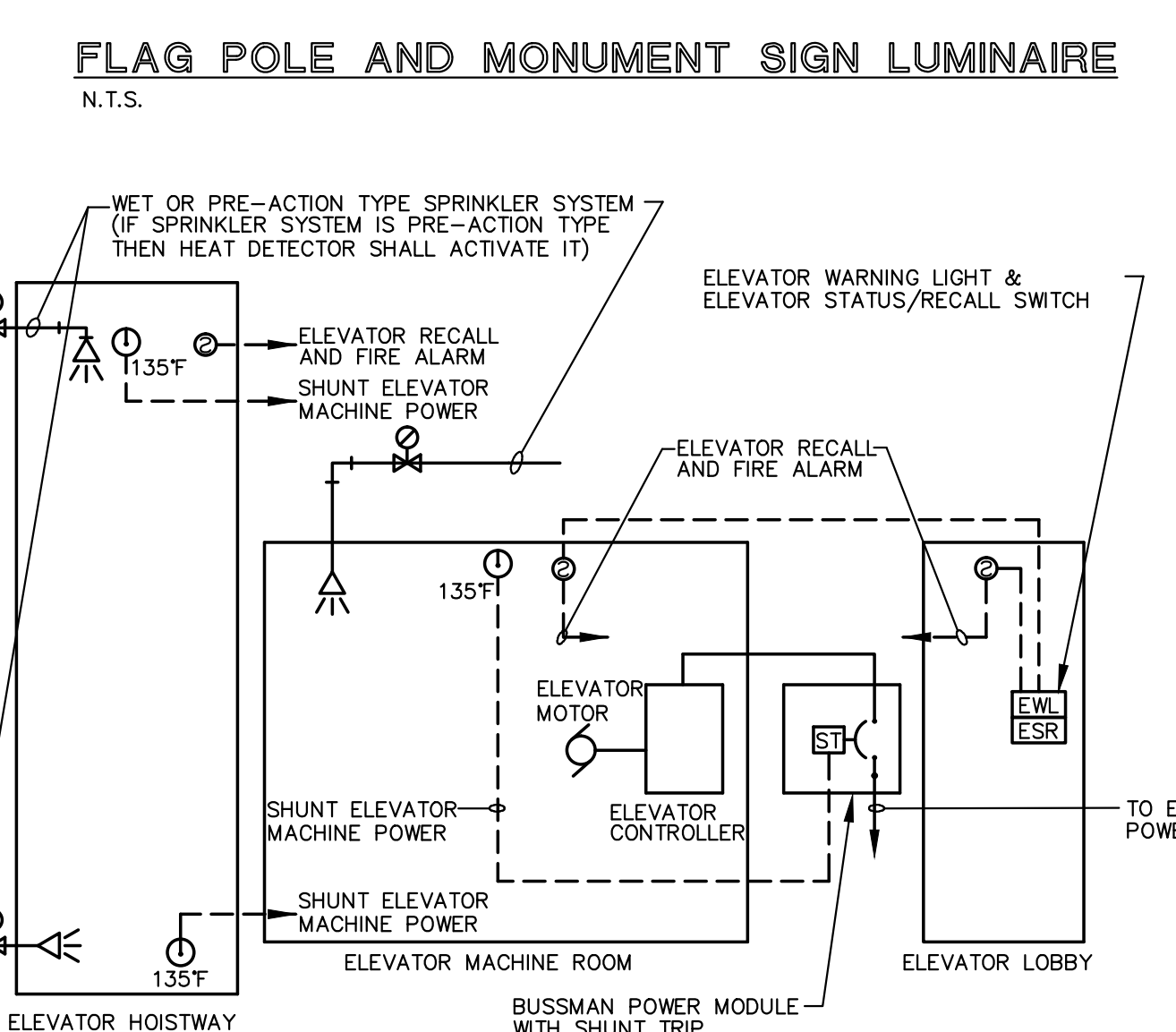
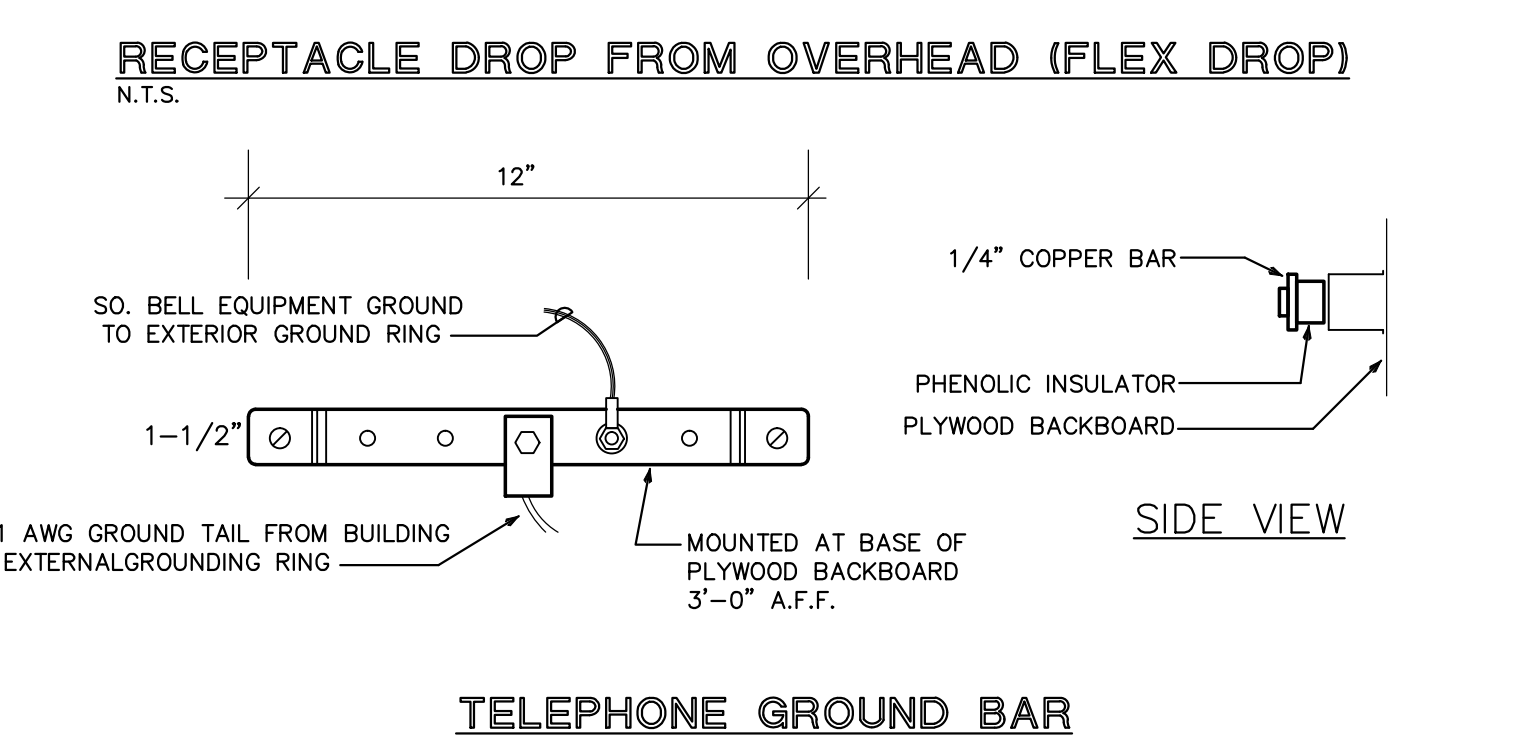
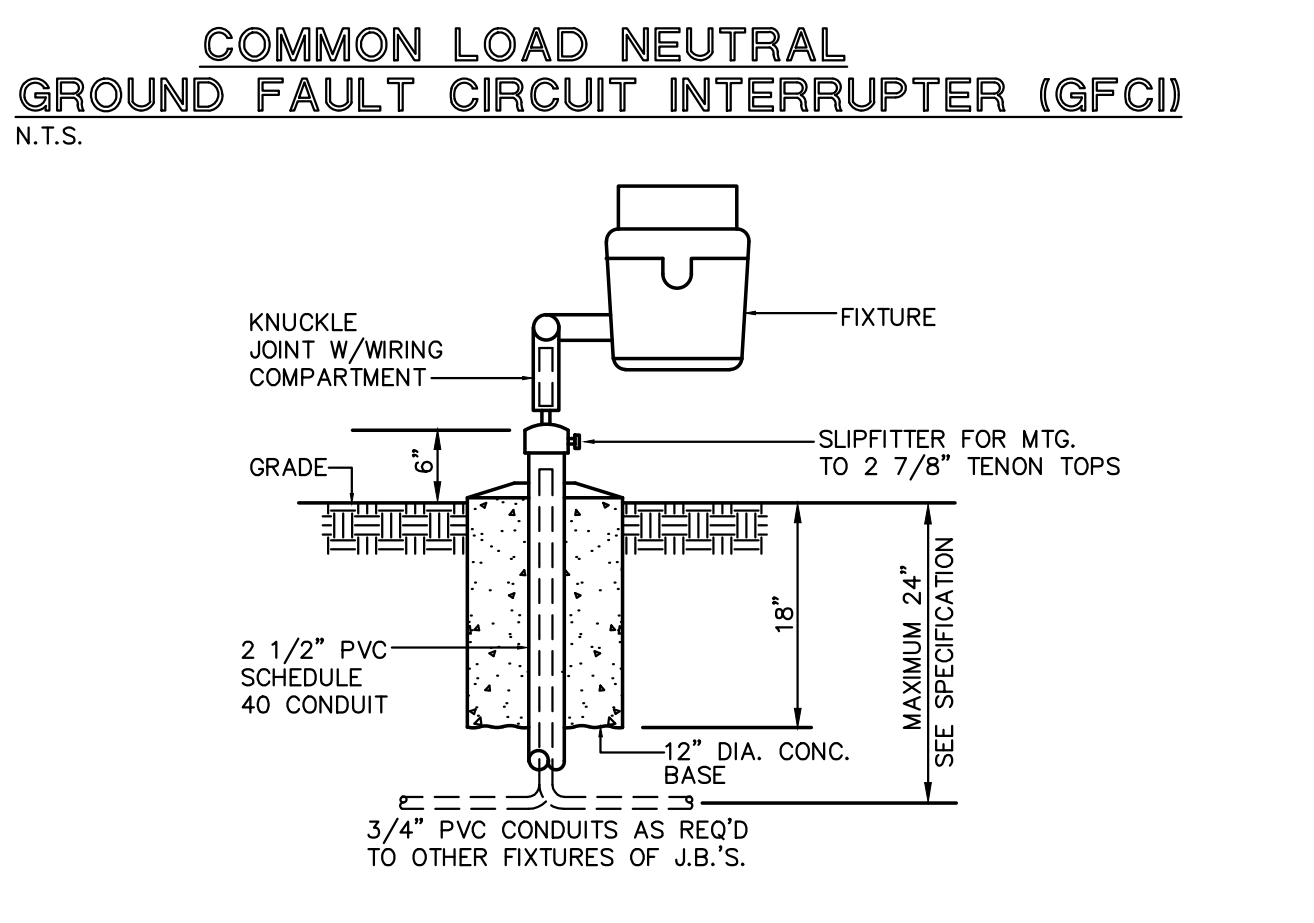
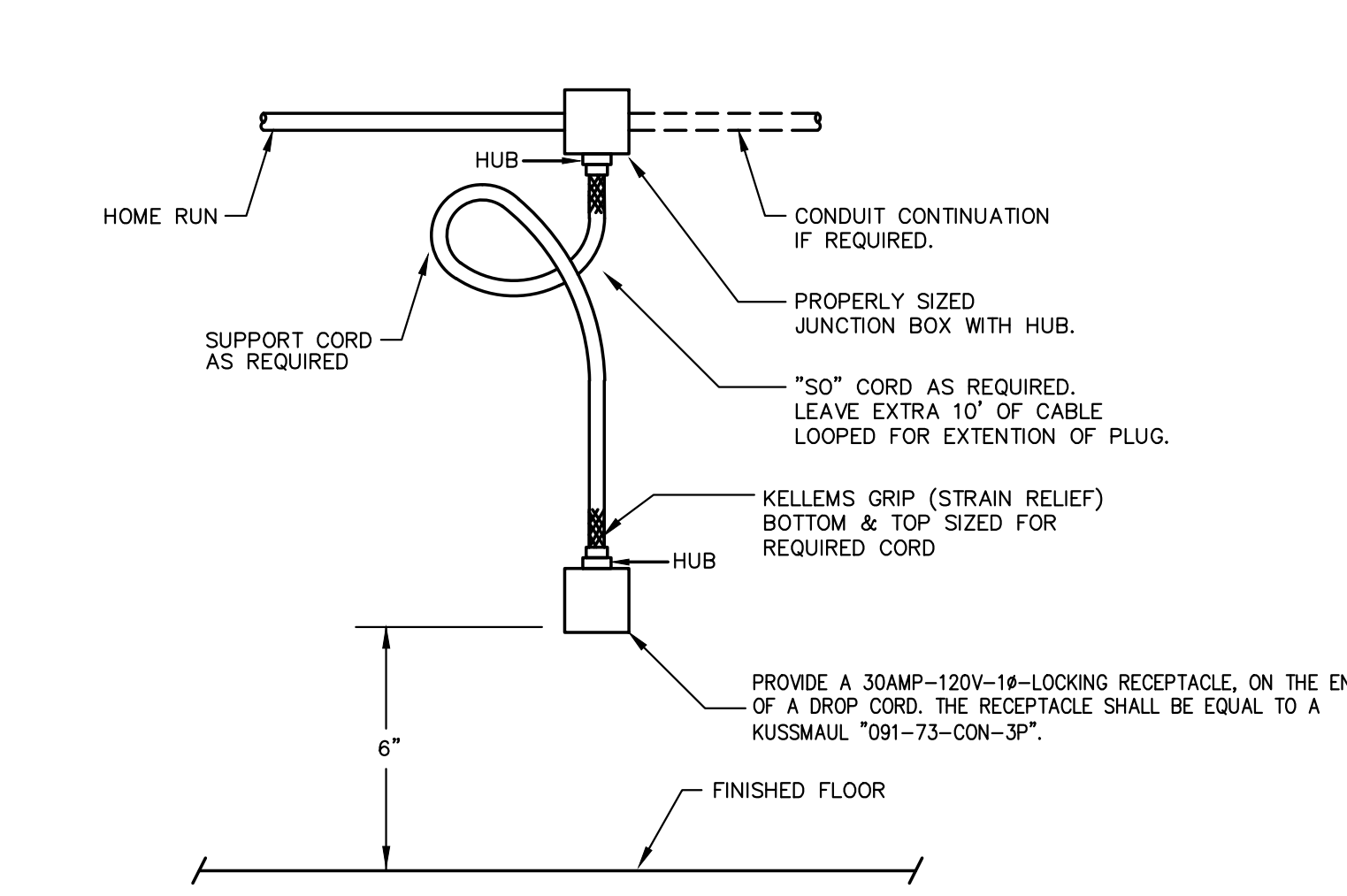
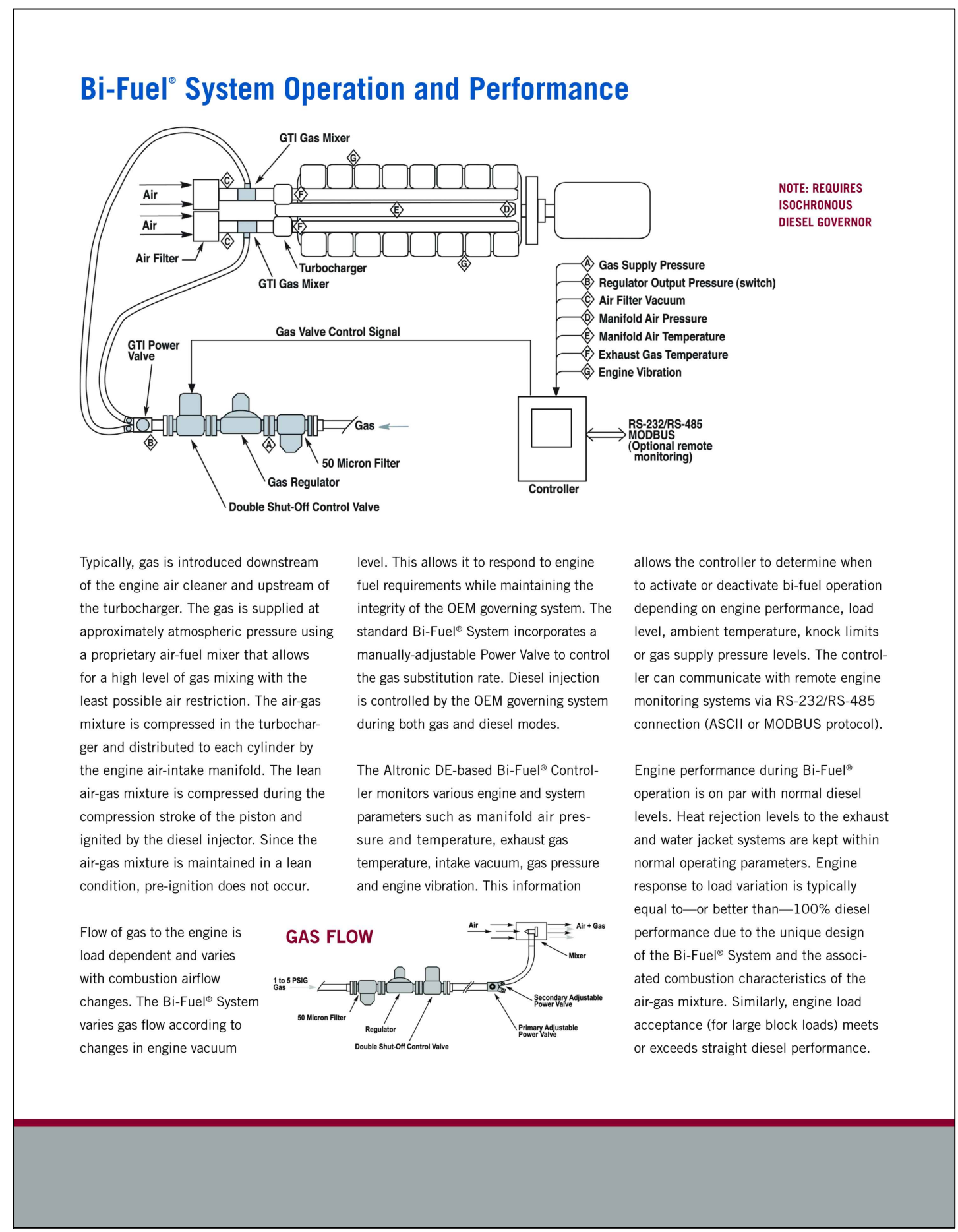
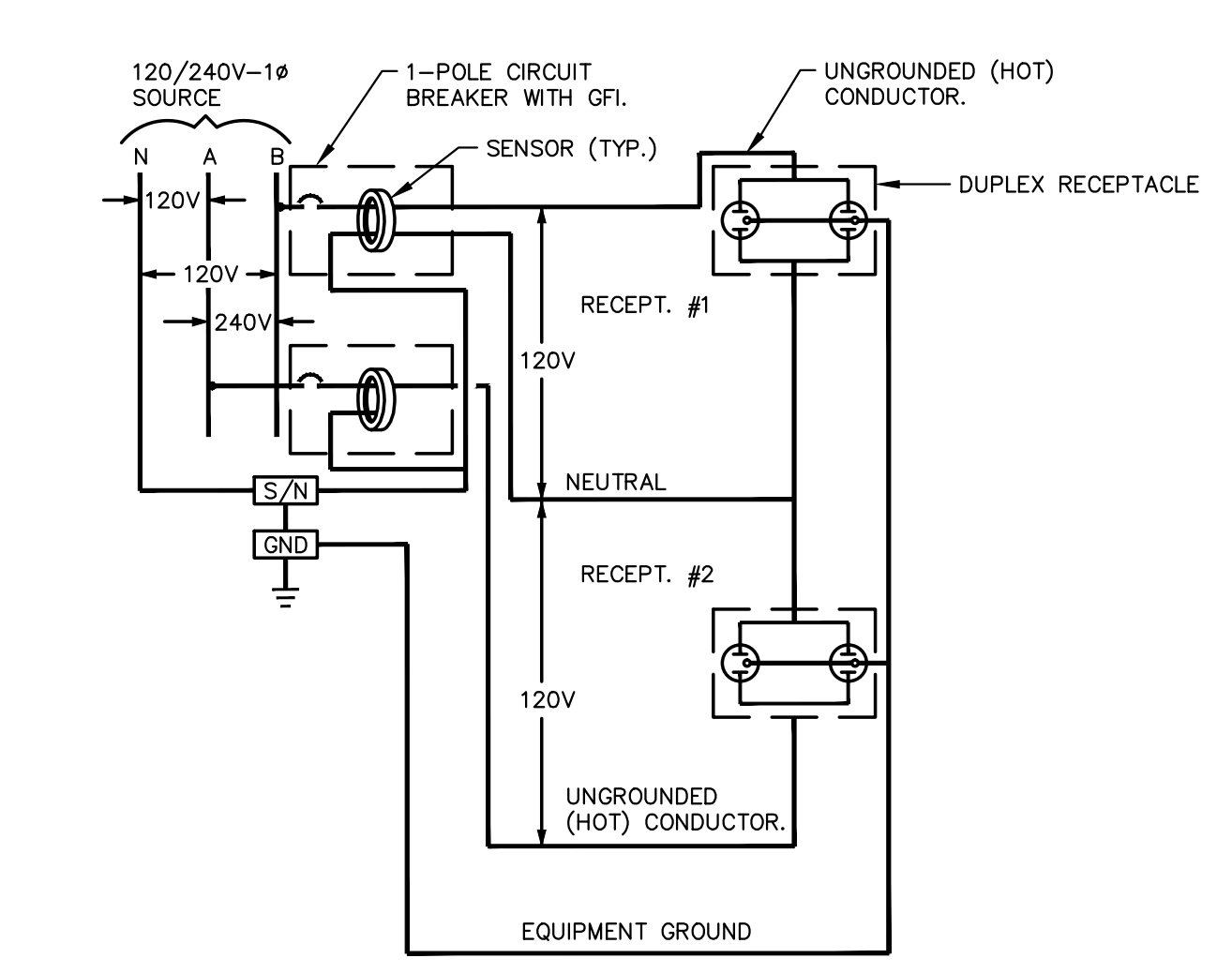
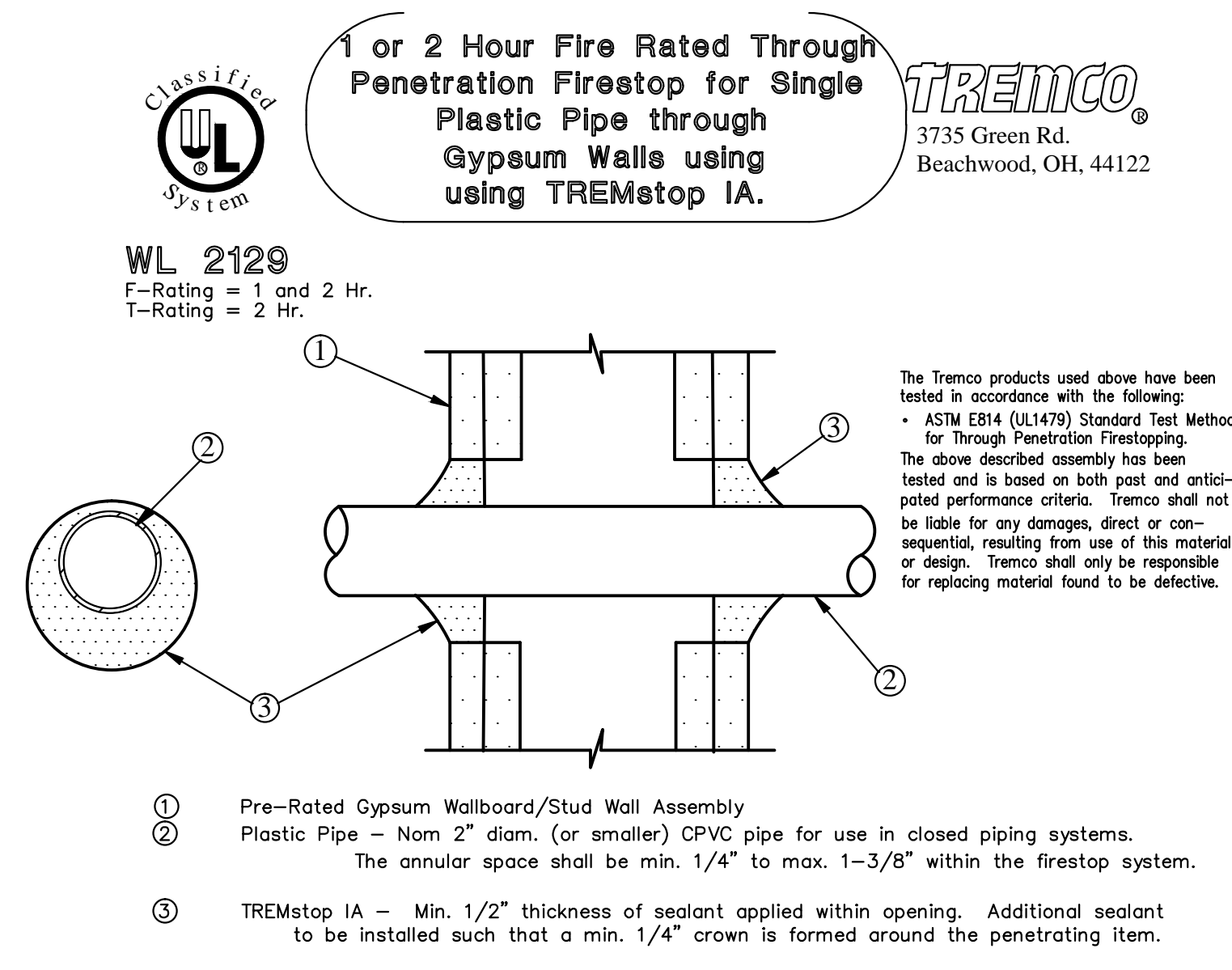
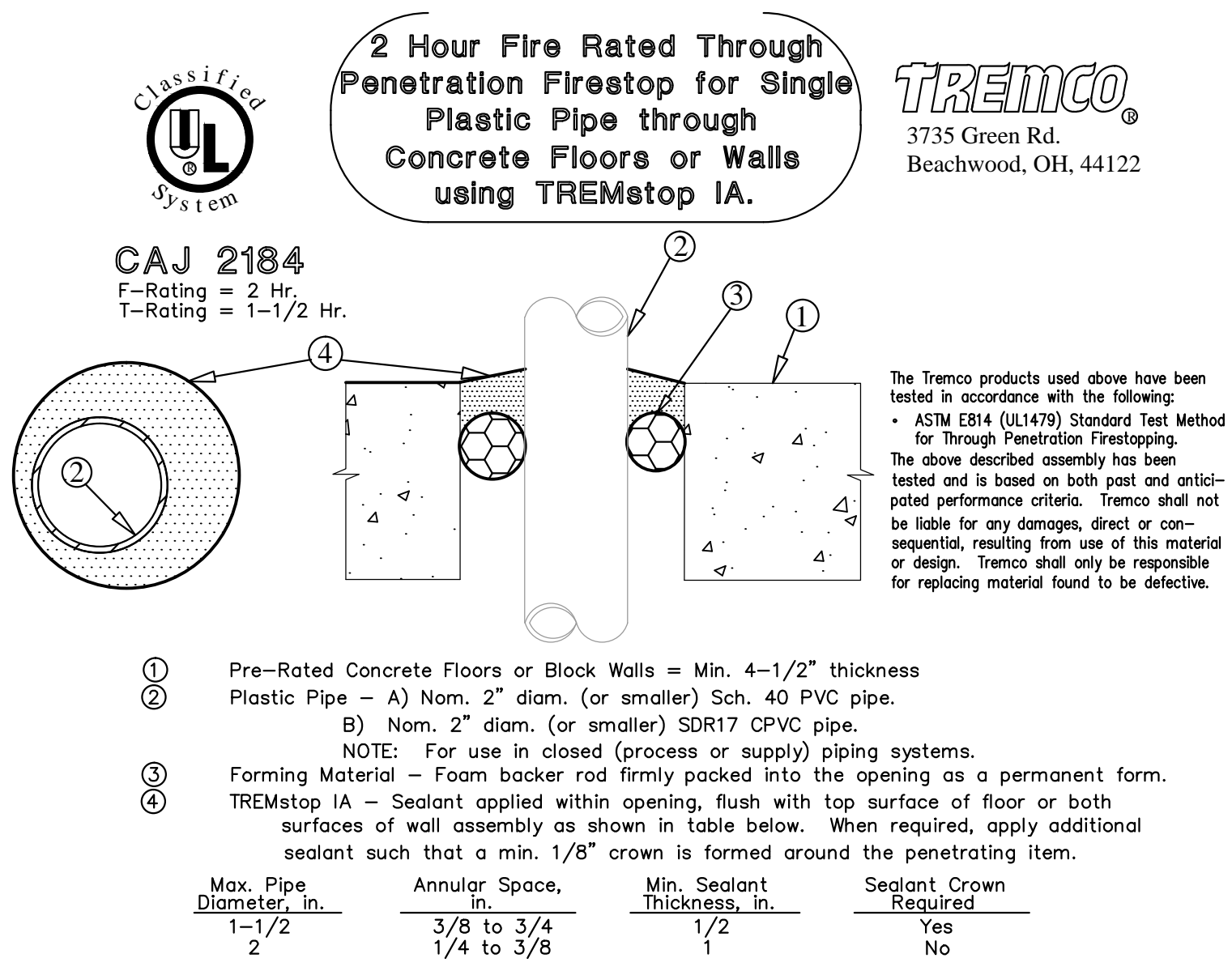


THIS DOCUMENT IS THE PROPERTY OF CURRIE SOWARDS AGUILA ARCHITECTS INC. ALL RIGHTS ARE RESERVED. ANY POSSESSION, REPRODUCTION OR OTHER USE OF THIS DOCUMENT, WITHOUT THE WRITTEN CONSENT OF CURRIE SOWARDS AGUILA ARCHITECTS INC., IS PROHIBITED.



**TYEC**  
HVAC PLUMBING ELECTRICAL

THOMPSON & YOUNGROSS  
ENGINEERING CONSULTANTS, LLC  
CERTIFICATE OF AUTHORIZATION NO. 25996

112 SOUTHEAST 10th STREET  
DELRAY BEACH, FL 33483  
www.tyecfla.com

TEL: 561-274-0200  
FAX: 561-274-0222  
E-MAIL: tec@tyecfla.com

**CURRIE SOWARDS AGUILA architects**  
Architecture, Planning, Interiors, & Sustainable Design

AA26001584  
185 NE 4TH AVENUE SUITE 101  
DELRAY BEACH, FL 33483  
T: (561) 276-4951 F: (561) 243-8184  
E-MAIL: office@csa-architects.com

ISSUED FOR: DRC 10-13-14

BIDS PERMIT 04-09-2015

CONSTRUCTION SEAL

ANDREW J. YOUNGROSS  
LICENSE NO. 5758  
STATE OF FLORIDA  
PROFESSIONAL ENGINEER

PROJECT TITLE  
**CITY OF HALLANDALE BEACH FIRE RESCUE STATION 7**

111 FOSTER ROAD  
HALLANDALE BEACH, FL 33009

NUM.	DESCRIPTION	DATE
1	BUILDING DEPT. COMMENTS	05/15/15
3	BLDG DEPT. COMM./COORDINATION	07/10/15
5	ADDENDUM	09/14/15

THIS PROJECT HAS BOOK SPECIFICATIONS THAT ARE AN INTEGRAL AND COMPLIMENTARY PART OF THE OF THE CONSTRUCTION DOCUMENTS.

THESE DRAWINGS ARE PREPARED PER ESTABLISHED INDUSTRY STANDARDS AND REPRESENT THE ARCHITECT AND ENGINEERS DESIGN CONCEPT. THEY ARE NOT INTENDED TO PROVIDE EVERY DETAIL OR CONDITION REQUIRED TO CONSTRUCT THE BUILDING. THE CONTRACTOR THROUGH SUBMITTALS AND OTHER COORDINATION EFFORTS IS FULLY RESPONSIBLE FOR PROVIDING A COMPLETE AND OPERATIONAL BUILDING WHETHER INDICATED ON THE PLANS OR NOT.

FILE NUMBER  
**14069 E-7.5.DWG**

DRAWING TITLE  
**ELECTRICAL DETAILS**

DATE 01/14/2015 DRAWN BY MB,DJM,AD

JOB NUMBER 140403/14069

DRAWING NUMBER

**E-7.5**

BID SET 7-24-2015